

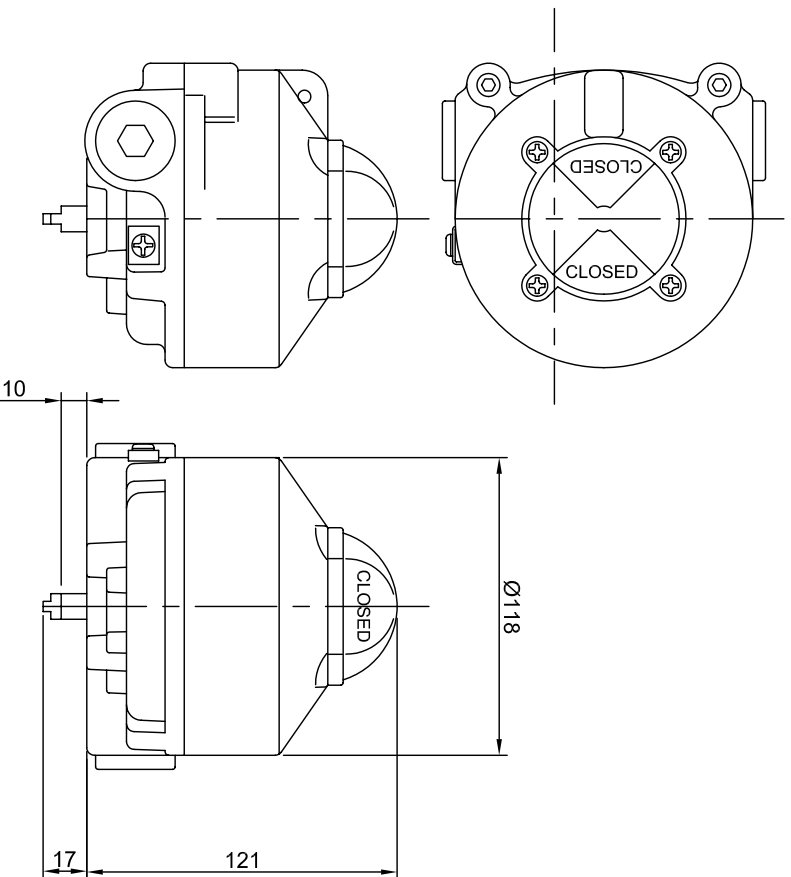
**Description:**  
 Powder Coated Aluminium Switchbox to ATEX II 2 G Ex d IIC T6, IP67, fitted with 2 x SPDT switches for indication of fully open and fully closed positions.  
 Solid and compact design with high visibility beacon indicator.  
 Captive cover bolts are safely retained during installation and maintenance.  
 A threaded screw down cover ensures IIC rating.  
 The spring loaded splined cams are easily adjustable with no tools required.  
 Dual cable entries are provided.  
 The switchbox has a Stainless Steel Output Shaft & is mounted to the actuator using a Namur Standard Stainless Steel mounting bracket.

**Standard Specification :**

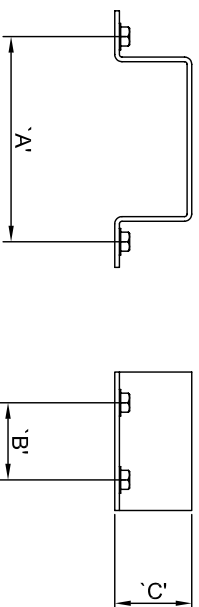
- Enclosure Material : Die Cast Aluminium
- Enclosure Rating : II 2 G Ex d IIC T6 IP67
- Enclosure Finish : Polyester powder coating (Black)
- Shaft Material : Stainless Steel
- Cable Entries : 2 x M20 (Options PG13.5, 3/4"NPT & M25)
- Limit Switch Type : 2 x SPDT, Mechanical
- Voltage/Amps : 250V AC/16A, 125V AC/16A, 250VDC/0.3A, 125VDC/0.6A
- Ambient Temperature : -20° to +60° C

**Options:**

- Enclosure Rating : IP68
- Enclosure Finish : Various colours
- Proximity sensors : See Data Sheets: 2.24.1 & 2.25.1
- Beacon Indicator : 3 Way Indication
- Material : Stainless Steel



**Mounting Bracket**



Bracket	A	B	C	Application
MBP-100	80	30	30	80 x 30 x 20
MBP-200	80	30	40	80 x 30 x 30
MBP-300	130	30	40	130 x 30 x 30
MBP-400	130	30	60	130 x 30 x 50

DATA SHEET No. 2.23.1

DATE: JUNE 2007

